

SupIR 25/80/320mm f/4.0, Motorized Focus 680024



HD
FORMAT

WFOV(25mm)

HFOV	640x512	1280X1024
15μ	21.6°	
10μ	14.5°	28.4°

MFOV(80mm)

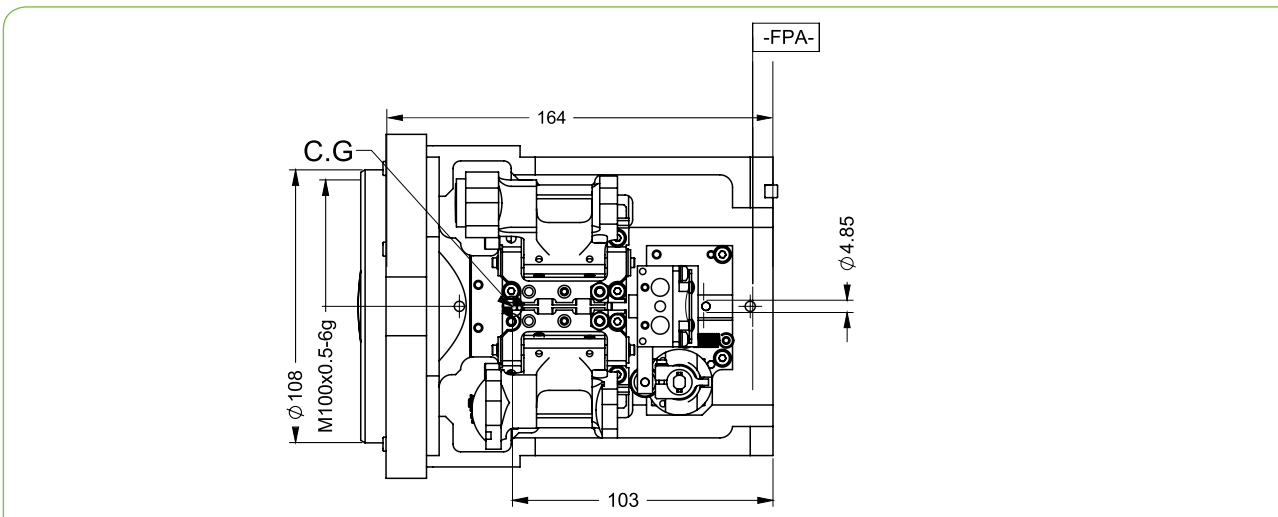
HFOV	640x512	1280X1024
15μ	6.8°	
10μ	4.6°	9.0°

NFOV(320mm)

HFOV	640x512	1280X1024
15μ	1.7°	
10μ	1.1°	2.2°

MWIR | Multiple FOV

Property	Value		
Optical	WFOV	MFOV	NFOV
Focal Length	25mm	80mm	320mm
F/#	4.0		
Average Transmission (3.4-5μm)	83% (HC)		
Back Focal Length	26.5mm in air		
Mechanical			
Focus Mechanism	Motorized		
Focus Range	5m to infinity	10m to infinity	50m to infinity
Focus Switch Time	<5 sec.		
FOV Mechanism	Motorized		
FOV Switch Time	<1 sec.		
Weight	1.52kg		
Max. Dimensions	Ø134mm x 165.5mm		



Property	Value
Electrical	
Focus Motor	6VDC I _{max} < 0.06A (Contin. Current 0.05A)
FOV Motor	6VDC I _{max} < 0.06A (Contin. Current 0.05A)
Environmental	
Operating Temperature	-40°C to +65°C
Storage Temperature	-54°C to +71°C
Sealing	IP 67 front element only
Vibration-Operation	Composite wheeled vehicle, Vertical:2.1grms, Transverse: 1.6grms, Longitudinal: 1.96grms
Vibration-Storage	Composite wheeled vehicle, Vertical:2.1grms, Transverse: 1.6grms, Longitudinal: 1.96grms
Mechanical Shock-Storage & Storage	40g, 11ms
Configurations	
680024-003	Hard Carbon, CSH=19.4mm, BWD**=6.85mm, BFL=26.53mm
680024-004	High Durability, CSH=19.4mm, BWD**=6.85mm, BFL=26.53mm

* The ICD drawing provided here is primarily a representation and may not accurately reflect the product's actual dimensions and specifications. For precise integration specifications contact your local sales representative.

** The BWD value is calculated for a unique detector setup with varying sealing windows in terms of thickness and material. For more details, contact your local sales representative.